



# PALLET MULE

RELIABLE PRODUCTS AND SERVICE



## CORROSION RESISTANT

- Zinc plating on entire frame
- Low temperature pump fluid
- Grease fittings at all pivot points
- Corrosive resistant option offered on all models and sizes as well as custom products.
- Extensive use of ductile cast iron parts,
- Heavy 7 gauge steel in major structural components
- Solid steel push rods instead of the standard tubular steel design
- Premium polyurethane wheels on an aluminum core
- Sealed bearings provide reduced rolling resistance and longer life



PALLET MULE Corrosion Resistant Pallet Jack is the right choice for any environment subject to wash down or cold temperatures, including cold storage, freezer, fishing, poultry, seafood, meat and frozen food processing, particularly in high usage, mission critical operations where down-time can be very costly. The PALLET MULE Corrosion Resistant Pallet Jack is superior to the so-called non-corrosive, corrosion free, hot galvanized, zinc coated and freezer pallet trucks offered by competitors. The key is not only the quality of the zinc coating process, it also depends on the quality of the grease fittings and the low temperature pump fluid.

Pallet Mule All American Pallet jacks are built heavier and more durable than the lower cost import pallet jacks to withstand the demands of continuous daily use. They are designed and built to perform safely and consistently all day every day and are supported by the most professional service and support in the industry. Don't just settle for any pallet jack!

Wesley International  
3680 Chestnut Street  
Scottsdale, GA 30079

BY  
**WESLEY**  
INTERNATIONAL

Sales: 800-241-2869  
Fax: 404-292-8469  
sales@wesleyintl.com  
www.wesleyinternational.com



# PALLET MULE

RELIABLE PRODUCTS AND SERVICE



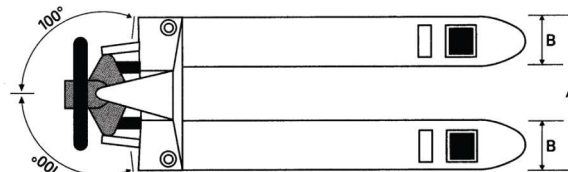
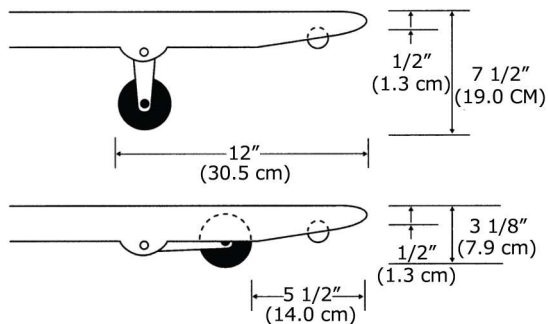
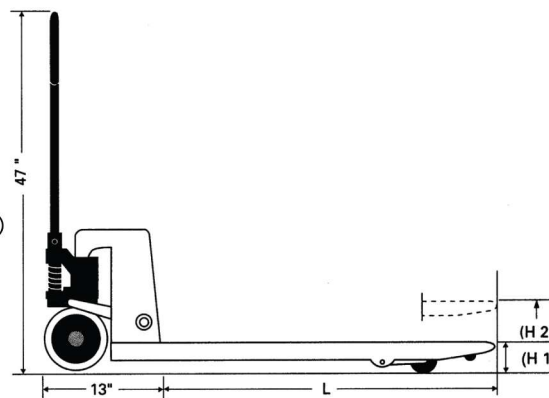
Ideal For Use in Cold Storage, Freezer, Fishing, Poultry, Seafood, Meat and Frozen Food Processing Locations



## CORROSION RESISTANT PALLET MULE 5000# (2,272.7 kg)

Load Capacity .....	5000# (2,272.7 kg)
Fork Heights: Lowered (H 1) .....	3 1/8" (7.9 cm)
Raised (H 2) .....	7 1/2" (19.1 cm)
Standard Widths Across Forks (A) .....	27", 21", (68.6 cm, 53.3 cm)
Fork Width (B) .....	6 1/4" (15.9 cm)
Standard Fork Lengths (L) .....	48", 42", 36" (121.9 cm, 106.7 cm, 91.4 cm)
Load Wheels .....	3" X 4" (7.6 cm X 10.2 cm)
Steer Wheels .....	8" X 2" (20.3 cm X 5.1 cm)
Wheel Material .....	Polyurethane/Aluminum
Approximate Weight .....	5000# Unit (2,272.7 kg) 195# (88.6 kg)

Special Sizes, Weights and Lowered Heights Available



Wesley International  
3680 Chestnut Street  
Scottsdale, GA 30079

BY  
**WESLEY**  
INTERNATIONAL

Sales: 800-241-2869  
Fax: 404-292-8469  
sales@wesleyintl.com  
www.wesleyinternational.com